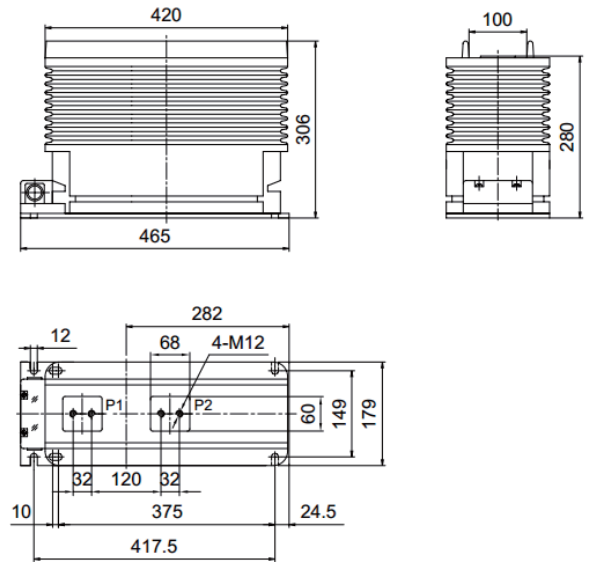


GFLZZ1235-20A2

Current Transformer



Parameters

Technical parameters	
Standards	IEC60044; IEC 61869; ANSI/IEEE C57.13
Rated primary current	20-1200A
Rated load	≤20VA
Rated frequency	50Hz or 60Hz
Rated secondary current	5A or 1A
Rated short-time thermal current	80kA, 1S
Rated dynamic current	160kA
Rated insulation level	12/42/75KV
FS	≤10
Mechanical parameters	
Material	Epoxy resin
Weight (kg)	32

Operating conditions	
Operating temperature	-25°C to +55°C
Daily average temp	<+40°C
Storage temperature	-40°C to +70°C
Altitude	<1000 meters
Condition	No existence of severely begrimed, erosive and radioactive gas in the air. Permission of long-term operation under rated current.

Technical parameters

Rated Primary Current(A)	Class Combination	Accuracy class and Rated output (VA)	Short-time thermal current (kA/S)	Rated dynamic current (kA)
20 ~ 150	0.2/0.2	10/10	150 IIn	375 IIn
	0.2/0.5	10/10		
200	0.2/10P10	10/20	31.5	80
	0.5/10P10	10/20		
300-500	0.2/10P15	10/15	45	112.5
	0.5/10P15	10/15		
600-800	0.2/0.2	15/15	63	130
	0.2/0.5	15/20		
	0.2/10P10	10/20		
1000-1200	0.5/10P10	15/20	80	160
	0.2/10P15	10/15		
	0.5/10P15	15/15		