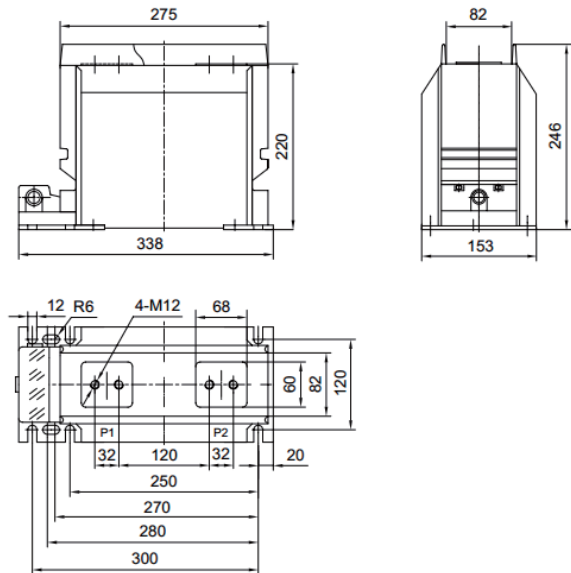


GFLZZ0954-10E

Current Transformer



Parameters

Technical parameters	
Standards	IEC60044; IEC 61869; ANSI/IEEE C57.13
Rated primary current	5-1250A
Rated load	≤15VA
Rated frequency	50Hz or 60Hz
Rated secondary current	5A or 1A
Rated short-time thermal current	140kA, 1S
Rated dynamic current	350kA
Rated insulation level	12/42/75KV
FS	≤10
Mechanical parameters	
Material	Epoxy resin
Weight (kg)	32

Operating conditions	
Operating temperature	-25°C to +55°C
Daily average temp	<+40°C
Storage temperature	-40°C to +70°C
Altitude	<1000 meters
Condition	No existence of severely begrimed, erosive and radioactive gas in the air. Permission of long-term operation under rated current.

Technical parameters

Rated Primary Current(A)	Class Combination	Accuracy class and Rated output		Short-time thermal current (kA/S)	Rated dynamic current (kA)
		0.5	10P10		
5-150	0.2(S)/10P10 0.5/10P10	10	15	150 I _n	375 I _n
200				36	90
300				45	100
400-600				63	150
800-1000				100	250
1250				140	350