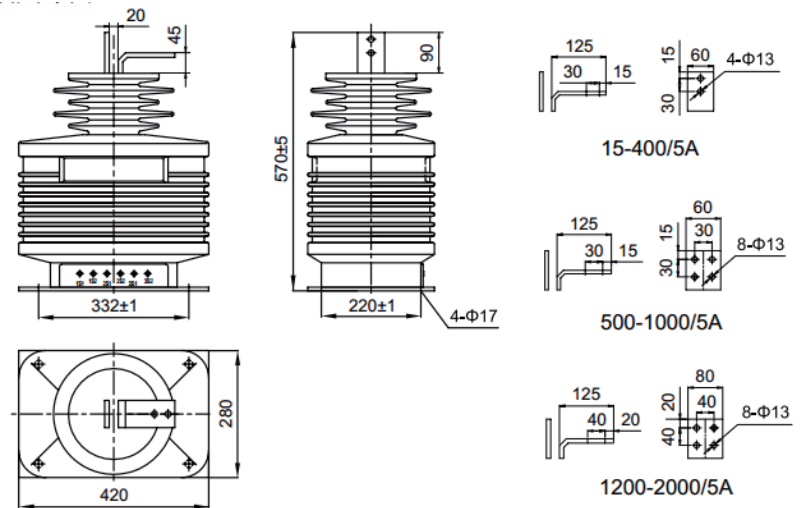


GFLZZ0757-35Q

Current Transformer



Parameters

Technical parameters

Standards	IEC60044; IEC 61869; ANSI/IEEE C57.13
Rated primary current	20-2000A
Rated load	≤15VA
Rated frequency	50Hz or 60Hz
Rated secondary current	5A or 1A
Rated short-time thermal current	80kA, 1S
Rated dynamic current	160kA
Rated insulation level	12/42/75KV
FS	≤10

Mechanical parameters

Material	Epoxy resin
Weight (kg)	30

Operating conditions

Operating temperature	-25°C to +55°C
Daily average temp	<+40°C
Storage temperature	-40°C to +70°C
Altitude	<1000 meters
Condition	No existence of severely begrimed, erosive and radioactive gas in the air. Permission of long-term operation under rated current.

Technical parameters

Rated Primary Current(A)	Class Combination	Accuracy class and Rated output			Short-time thermal current (kA/S)	Rated dynamic current (kA)
		0.2(S)	0.5S	10P10		
20	0.2(S)/0.5(S) 0.2(S)/10P10 0.5(S)/10P10 0.2(S)/0.5(S)/10P	15	15	25	1.3	3.25
30					2	5
40					3	7.5
50					4.5	11.5
75					6	15
100					9	22.5
150					12	30
200					18	45
300					24	60
400					36	90
500					40	100
600-800					50	120
1000-1200					63	130
1500-2000					80	160