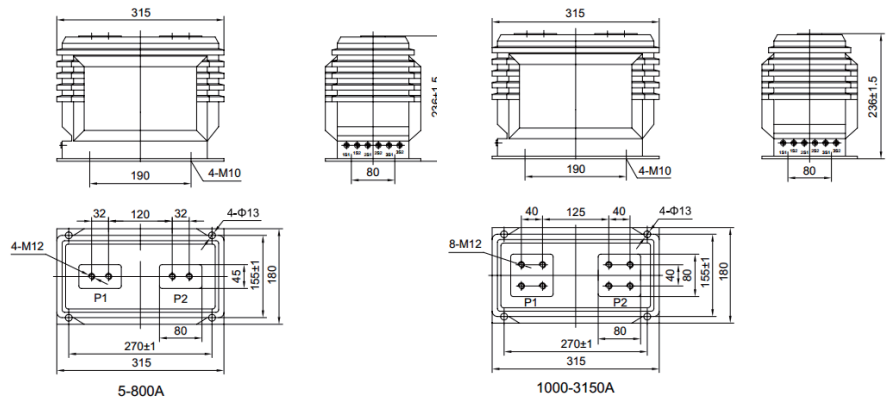


GFLZZ0746-10GY

Current Transformer



Parameters

Technical parameters

Standards	IEC60044; IEC 61869; ANSI/IEEE C57.13
Rated primary current	5-3150A
Rated load	≤60VA
Rated frequency	50Hz or 60Hz
Rated secondary current	5A or 1A
Rated short-time thermal current	120kA, 1S
Rated dynamic current	200kA
Rated insulation level	12/42/75KV
FS	≤10

Mechanical parameters

Material	Epoxy resin
Weight (kg)	28

Operating conditions	
Operating temperature	-25°C to +55°C
Daily average temp	<+40°C
Storage temperature	-40°C to +70°C
Altitude	<1000 meters
Condition	No existence of severely begrimed, erosive and radioactive gas in the air. Permission of long-term operation under rated current.

Technical parameters

Rated Primary Current(A)	Class Combination	Accuracy class and Rated output					Short-time thermal current (kA/S)		Rated dynamic current (kA)	
		0.2 (S)	0.5 (S)	10P 10	10P 15	10P 20				
5	0.2(S)/0.5(S) 0.2(S)/10P 0.5(S)/10P	10	20	20	20	15	0.5	1*	1.25	2.5*
10							1	2*	2.5	5*
15							1.5	3*	3.75	7.5*
20							2	4*	5	10*
30							3	6*	7.5	15*
40							4	8*	10	20*
50							5	20*	12.5	50*
75							7.5	31.5*	18.5	78*
100							10	31.5*	25	78*
150-200							31.5	45*	80	112.5*
300-500		45	63*	112.5	150*					
600		20/30	30	30	20	63	80*	130	160*	
800						80	100*	160	180*	
1000										
1200		30	60	30	30	20	100	120*	160	200*
1500										
2000-2500										
3000-3150										