

FU120

Busbar Split Core Current Transformer

Split Core Current Transformer also called Split Core Current Transformer or Openable Current Transformer. It mainly applies for electric system renovation project with easy installation, no need to remove primary busbar, can also operate when power on without affect clients' normal electricity utilization. It can help clients renovate projects and improve efficiency to save human, material and financial resources. This series can apply with relay tester, measuring and metering devices.



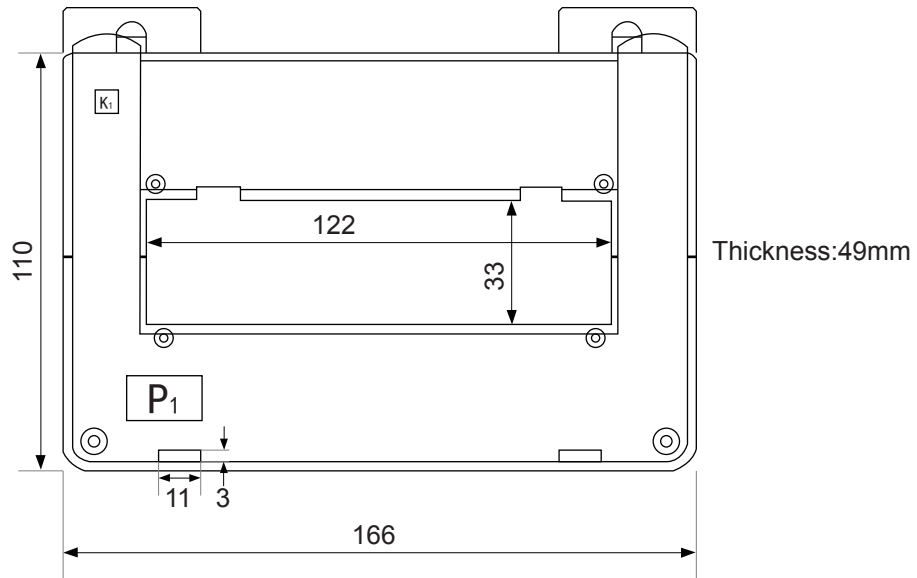
Features

1. Easy install or remove with power on
2. Stable and reliable
3. Ratio could be customized
4. Various size to meet different busbar installation
5. Can apply with relay tester, measuring and metering devices

Parameters

Electrical parameters	
Accuracy	0.2%, 0.5%
Primary current	1000A-3000A
Secondary current	5A
Characteristic and application	Available for copper platoon that under 3000A online measurement
Load capacity	0.1Ω(1A output), 2.5VA(5A output)
Installation	Bracket and Bus bar installation
Output mode	Terminal output
Mechanical parameters	
Width of the clamping copper platoon (mm)	120x30
Overall dimensions (mm)	166x110x49

Outline drawing



P: Primary
K: Secondary